



Tilt Cylinder Assy

KOVO	
Make	
Model	N42 A4
OEM	



Tilt Cylinder Assy

KOVO	
Make	
Model	N43 A4
OEM	



Tilt Cylinder Assy

KOVO	
Make	KOMATSU
Model	C16-FD25
OEM	37B-1JA-D510



Tilt Cylinder Assy

KOVO	
Make	KOMATSU
Model	C16-FD25
OEM	37B-1JA-D520



Tilt Cylinder Assy

KOVO	
Make	KOMATSU
Model	C16-FD30
OEM	37B-1JA-D610



Tilt Cylinder Assy

KOVO	
Make	KOMATSU
Model	C16-FD30
OEM	37B-1JA-D620



Tilt Cylinder Assy

KOVO	
Make	TCM
Model	FRB15
OEM	278M8-50101



Tilt Cylinder Assy

KOVO	
Make	TCM
Model	FRB15
OEM	278M8-50111



Tilt Cylinder Bush

KOVO	
Make	TOYOTA
Model	7F
OEM	



Tilt Cylinder Pin

KOVO	
Make	TOYOTA
Model	7FD25
OEM	65506-23320-71



Tilt Cylinder Piston Rod

KOVO	
Make	
Engine	22x390
OEM	



Tilt Cylinder Piston Rod

KOVO	
Make	
Engine	25x405
OEM	



Tilt Cylinder Piston Rod

KOVO	
Make	
Engine	25x415
OEM	



Tilt Cylinder Piston Rod

KOVO	
Make	
Engine	25x425
OEM	



Tilt Cylinder Piston Rod

KOVO	
Make	
Engine	25x440
OEM	



Tilt Cylinder Piston Rod

KOVO	
Make	
Engine	35x355
OEM	



Tilt Cylinder Piston Rod

KOVO	
Make	
Engine	35x390
OEM	

MAST & CAB SYSTEM

08



Bonnet Strut

KOVO	
Make	TOYOTA
Model	6FD
OEM	52250-23600-71



Bonnet Strut

KOVO	
Make	TOYOTA
Model	7FB20
OEM	52260-13130-71



Bonnet Strut

KOVO	
Make	TOYOTA
Model	7F
OEM	52250-13130-71



Bonnet Strut

KOVO	
Make	TOYOTA
Model	7FD25
OEM	



Bonnet Strut

KOVO	
Make	TOYOTA
Model	7FD30
OEM	52210-23320-71



Bonnet Strut

KOVO	
Make	TOYOTA
Model	8FD
OEM	52240-26600-71



Bonnet Strut

KOVO	
Make	TOYOTA
Model	8FD30
OEM	52210-26600-71



Bonnet Strut

KOVO	
Make	TOYOTA
Model	6FD20-30
OEM	52260-23600-71



Bonnet Strut

KOVO	
Make	TOYOTA
Model	5FD50-80
OEM	52250-23000-71



Bonnet Strut

KOVO	
Make	MITSUBISHI
Engine	S4S-1
OEM	91212-13200



Bonnet Strut

KOVO	
Make	MITSUBISHI
Engine	S4S-2
OEM	91312-02900



Bonnet Strut

KOVO	
Make	KOMATSU
Model	FD30-C14
OEM	3BA-50-41160



Bonnet Strut

KOVO	
Make	KOMATSU
Model	C16
OEM	3EB-50-D6210



Bonnet Strut

KOVO	
Make	TCM
Model	FB20-30
OEM	277T6-40611



Bonnet Strut

KOVO	
Make	TCM
Model	C3
OEM	22N56-43041



Bonnet Strut

KOVO	
Make	TCM
Model	FD50-100Z8
OEM	230C6-43001



Bonnet Strut

KOVO	
Make	YALE
OEM	9303924-00



KOVO	
Make	LINDE
OEM	0009655676



Mast Support Bushing

KOVO	
Make	TOYOTA
Model	5/6/7FD25
OEM	76149-10110-71



Mast Support Bushing

KOVO	
Make	TOYOTA
Engine	2Z
OEM	61251-33660-71



Mast Support Bushing

KOVO	
Make	TOYOTA
Engine	11Z/13Z/15Z
OEM	61251-31960-71



Mast Support Bushing

KOVO	
Make	TOYOTA
Model	5FD25
OEM	04961-10070-71



Mast Support Bushing

KOVO	
Make	TOYOTA
Model	7FD40
OEM	61441-31620-71



Mast Support Bushing

KOVO	
Make	MINIBUSHI
Engine	S4S
OEM	94210-40301



Mast Support Bushing

KOVO	
Make	MINIBUSHI
Engine	S6S
OEM	94411-15401



Mast Support Bushing

KOVO	
Make	KOMATSU
Engine	4D95LE
OEM	3EC-71-32120



Mast Support Bushing

KOVO	
Make	KOMATSU
Engine	4D95/4D92E
OEM	3EB-71-31290



Mast Support Bushing

KOVO	
Make	KOMATSU
Model	C16
OEM	3EB-71-51290



Mast Support Bushing

KOVO	
Make	NISSAN
Engine	K21
OEM	59151-FJ400



Mast Support Bushing

KOVO	
Make	NISSAN
Engine	H15
OEM	59151-10H10



Mast Support Bushing



Mast Support Bushing



Pin, Mast Support

KOVO	
Make	TCM
Model	Z2/N2/C6
OEM	214A8-02201

KOVO	
Make	TCM
Engine	6BG1
OEM	230C8-02001

KOVO	
Make	TOYOTA
Model	8FD30
OEM	61255-26600-71



End Roller

MAKE	ENGINE OR MODEL	OEM	KOVO
TOYOTA	1DZ	61236-13600-71	
	1DZ	63358-13601-71	
	1DZ	61236-16600-71	
	1DZ	61237-16600-71	
	1DZ	61238-16600-71	
	1FZ	63355-32880-71	
	1FZ/11Z/13Z/14Z	63355-31961-71	
	1FZ/11Z/13Z/14Z	61436-31620-71	
	2J	63358-30800-71	
	2J	63368-30800-71	
	2Z	63381-23420-71	
	2Z	61236-23601-71	
	2Z	61236-23420-71	
	3Z	61236-F2030-71	
	3Z	61236-F3130-71	
	4Y	61236-13601-71	
	5F20-25	61236-34241-71	
	5F20-25	61246-34241-71	
	5F20-25	61821-34241-71	
	5F20-25	61831-34241-71	
7FB18	61236-23320-71		
7FB18	63381-13601-71		
12Z	61552-34030-71		
MITSUBISHI	4G15	94010-06800	
	4G15	94111-07700	
	4G15	94010-06700	
	4G15	94110-01201	
	4G15	94110-01101	
	4G33	94110-01200	
	4G33	94110-01100	
	S4S	94210-00600	
	S4S	94210-00700	
	S4S	94211-11800	
	S4S	94211-05300	
	S4S	94210-00601	
	S4S	94210-00701	
	F19C	94447-11200	
	F19C	94447-11300	
	F19C	94447-11500	
F19C	94447-11600		



End Roller

MAKE	ENGINE	OEM	KOVO
MITSUBISHI	F20B	F8007-06204	
	F20B	94511-05500	
	F20B	94511-05600	
	F20B	94511-05700	
	F20B	64362-79801	
	F20B	64362-79901	
	F20B	64362-94501	
	FD20-30	S980811S-00	
	FD20-30	S980811M-00	
	FD20-30	S980811L-00	
	K25/S4S	94211-11900	
	K25/S4S	94211-05400	
KOMATSU	4D10	307-807-1410	
	4D10	308-70-21315	
	4D92E	37A-9AA-2010	
	4D92E	37A-9AA-2020	
	4D92E	37A-9AA-2030	
	4D92E	37A-9AA-2040	
	4D92E	37A-9AA-2110	
	4D92E	37A-9AA-2120	
	4D92E	37A-9AA-2130	
	4D92E	37A-9AA-2140	
	4D92E	3BA-T9-12610	
	4D92E	3BA-T9-12620	
	4D92E	3BA-T9-12630	
	4D92E	3BA-T9-12710	
	4D92E	3BA-T9-12720	
	4D94	34B-72-1150	
	4D94E	37B-9AA-1111	
	4D94E	37B-9AA-1112	
	4D94E	37B-9AA-1121	
	4D94E	37B-9AA-1122	
	4D94E	37B-9AA-1132	
	4D94E	37B-9AA-1311	
	4D94E	37B-9AA-1321	
	4D94E	37B-9AA-1511	
4D94E	37B-9AA-1512		
4D94E	37B-9AA-1521		
4D94E	37B-9AA-1522		
4D94E	37B-9AA-1532		



End Roller

MAKE	ENGINE	OEM	KOVO
KOMATSU	4D94E	37B-9AA-2111	
	4D94E	37B-9AA-2121	
	4D94E	37B-9AA-2511	
	4D94E	37B-9AA-2521	
	4D94LE	37B-9AA-6110	
	4D94LE	37B-9AA-6120	
	4D94LE	37B-9AA-6130	
	4D94LE	37B-9AD-6110	
	4D94LE	37B-9AD-6120	
	4D94LE	37B-9AD-6130	
	4D94LE	37B-9AF-6110	
	4D94LE	37B-9AF-6120	
	4D94LE	37B-9AF-6130	
	4D95LE	37C-9AA-5110	
	4D95LE	37C-9AA-5120	
	4D95LE	37C-9AA-5130	
	4D95LE	37C-9AD-5110	
	4D95LE	37C-9AD-5120	
	4D95LE	37C-9AD-5130	
	4D95S	37B-9AA-1110	
	4D95S	37B-9AA-1120	
	4D95S	37B-9AA-1130	
	4D95S	37B-9AA-1131	
	4D95S	37B-9AA-1141	
	4D95S	37B-9AA-1210	
	4D95S	37B-9AA-1220	
	4D95S	37B-9AA-1230	
	4D95S	37B-9AA-1310	
	4D95S	37B-9AA-1320	
	4D95S	37B-9AA-1330	
	4D95S	37B-9AA-1331	
	4D95S	37B-9AA-1341	
	4D95S	37B-9AA-1531	
	4D95S	37B-9AA-1541	
	6D10	06004-06215	
	6D102E	37C-9AA-3110	
	6D102E	37C-9AA-3120	
	6D102E	37C-9AA-3130	
	6D95	06001-06210	
	6D95	300-70-31330	



End Roller

MAKE	ENGINE	OEM	KOVO
KOMATSU	6D95L	3ED-71-41210	
	6D95L	3ED-71-41760	
	C11-Z24	37B-9AA-2131	
	C11-Z24	37B-9AA-2141	
	C17-H15	37A-9AA-2210	
	C17-H15	37A-9AA-2220	
	C17-H15	37A-9AA-2230	
	C17-H15	37A-9AA-2240	
	C2-DA220	34C-72-11111	
	C2-DA220	34C-72-11280	
C2-DA220	34C-72-11290		
		3ED-71-42570	
NISSAN	H15/H20/TD27	59117-00H10	
	H15/H20/TD27	59117-00H13	
	H15/H20/TD27	59117-00H11	
	H15/H20/TD27	59117-00H14	
	H15/H20/TD27	59117-00H12	
	H15/H20/TD27	59117-00H15	
	H15/H20/TD27	59117-01H00	
	H15/H20/TD27	59117-01H01	
	H15/H20/TD27	59117-01H02	
	H15/H20/TD27	59117-00H00	
	H15/H20/TD27	59117-00H03	
	H15/H20/TD27	59117-00H01	
	H15/H20/TD27	59117-00H02	
	H20-II/H25/TD27	59117-20H00	
	H20-II/H25/TD27	59117-20H01	
	H20-II/H25/TD27	59117-20H02	
	K21/K25	59117-20H10	
	K21/K25	59117-20H11	
	K25/33L4C	59117-FK402	
	K25/33L4C	59117-FK401	
K25/33L4C	59117-FK400		
K25/33L4C	59117-FK403		
TCM	6BG1	03030-06211	
	6BG1	03030-06215	
	6BG1	211F8-22202	
	6BG1	22658-22101	
	6BG1	22658-22401	
	6BG1	25808-22201	



End Roller

MAKE	ENGINE	OEM	KOVO
TCM	6BG1	25808-22211	
	H15K	211F8-22201	
	H15K	211F8-22221	
	H15KA	22088-22151	
	H15KA/C240PKJ/4JG2	214A8-22211	
	H15KA/C240PKJ/4JG2	23658-33001	
	H15KA/C240PKJ/4JG2	27419-42911	
	H15KA/C240PKJ/4JG2	23458-22101	
	H20/C240PKJ	23458-22111	
	H20/C240PKJ	23458-22109	
	H20/TD27	277P8-22051	
	H20/TD27	577P3-74001	
	H20KA/H25KA/C240PKJ/4JG2	22198-22341	
	TD27/K21	277P8-22061	
	Z7	23818-20701	
	Z7	23958-22081	
Z7	24258-33401		
DAEWOO	D20S-3/D25S-3/D30S-3	D581814	
	D20S-3/D25S-3/D30S-3	D581815	
	D20S-3/D25S-3/D30S-3	D581816	
HYUNDAI	D4BB	30CY77A-01100	
	D4BB	30CY77A-01000	
	D4BB	30DY77A-00900	
LINDE	E12/E14/E15/E16 FB	000.924.94.42	
	E12/E14/E15/E16 FB	000.924.94.43	
	E12/E14/E15/E16 FB	000.924.95.12	
	E12/E14/E15/E16 FB	000.924.95.14	



Mounting Frame Rubber

KOVO	
Make	MITSUBISHI
Engine	S4S
Model	FD15
OEM	



Mounting Frame Rubber

KOVO	
Make	MITSUBISHI
Engine	S4S
Model	FD30
OEM	91E43-30900



Mounting Frame Rubber

KOVO	
Make	KOMATSU
Engine	4D94E
OEM	3EB-51-32110
Application	Front

For Picture Details
Please Email Us
Forklift@Forklift-China.cc

Mounting Frame Rubber

KOVO	
Make	KOMATSU
Engine	4D94E
OEM	3EB-51-32120
Application	Rear



Mounting Frame Rubber

KOVO	
Make	KOMATSU
Engine	4D94LE
OEM	3EA-51-42120
Application	LH



Mounting Frame Rubber

KOVO	
Make	KOMATSU
Engine	4D94LE
OEM	3EA-51-42110
Application	RH



Side Roller

KOVO	
Make	TOYOTA
Model	5F
OEM	63382-30800-71



Side Roller

KOVO	
Make	mitsubishi
Engine	S4S
OEM	94102-10301



Side Roller

KOVO	
Make	MITSUBISHI
Model	CF14E/CF18C
OEM	94010-09601



Side Roller

KOVO	
Make	MITSUBISHI
Model	FD45-50
OEM	94401-03500



Side Roller

KOVO	
Make	MITSUBISHI
Model	F18C
OEM	94010-08700



Side Roller

KOVO	
Make	KOMATSU
Engine	4D94E
OEM	3EB-71-33260



Side Roller

KOVO	
Make	KOMATSU
Engine	FD35-7
OEM	3EC-73-33910



Side Roller

KOVO	
Make	TCM
Model	FD20-30T6
OEM	23458-32052



Side Roller

KOVO	
Make	TCM
Model	FD20-30Z5
OEM	234A8-33401



Side Roller

KOVO	
Make	TCM
Model	FD20-30
OEM	23458-32051



Side Roller

KOVO	
Make	TCM
Model	FD20-30T3
OEM	22N58-32701



Side Roller

KOVO	
Make	TCM
Engine	FD50-100
OEM	22658-32941



Side Roller



Side Roller



Side Roller

KOVO	
Make	TCM
Model	FD15/FB15
OEM	22018-30304

KOVO	
Make	TCM
Model	FRB15/FRHB15-6
OEM	22018-30303

KOVO	
Make	
Engine	
OEM	
Side	30*96*65



Side Roller



Side Roller



Side Roller

KOVO	
Make	
Engine	
OEM	
Side	35*102*65

KOVO	
Make	
Engine	
OEM	
Side	45*96*75

KOVO	
Make	
Engine	
OEM	
Side	30*83*36



Side Roller

KOVO	
Make	
Engine	
OEM	
Side	31*58*40

MAST & CAB SYSTEM

08



Sheave

KOVO	
Make	TOYOTA
Model	8FD30
OEM	63131-N3070-71



Sheave

KOVO	
Make	TOYOTA
Model	7F25
OEM	63131-23600-71



Sheave

KOVO	
Make	TOYOTA
Model	5-7F35-50
OEM	63131-31620-71



Sheave

KOVO	
Make	TOYOTA
Model	6-8FD10
OEM	63132-13600-71



Sheave

KOVO	
Make	TOYOTA
Model	5F30
OEM	63131-30960-71



Sheave

KOVO	
Make	MINIBISHI
Model	F18B
OEM	94211-00800



Sheave

KOVO	
Make	MINIBISHI
Model	FD15N
OEM	94113-00100



Sheave

KOVO	
Make	MINIBISHI
OEM	94211-06800



Sheave

KOVO	
Make	MINIBISHI
Engine	F14E/F14C
OEM	94310-02403



Sheave

KOVO	
Make	KOMATSU
Model	FD20-25
OEM	34B-72-11150



Sheave

KOVO	
Make	TCM
Model	FD50-70Z7
OEM	22658-33061



Hose Guide Pulley

KOVO	
Make	TOYOTA
Model	6-8F10-30
OEM	68855-25150-71



Hose Guide Pulley

KOVO	
Make	TOYOTA
Model	7FB10-30
OEM	68804-25080-71



Hose Guide Pulley

KOVO	
Make	TOYOTA
Model	7FB10-30
OEM	68804-25160-71



Hose Guide Pulley

KOVO	
Make	TOYOTA
Model	8FD10-25
OEM	68802-26540-71



Hose Guide Pulley

KOVO	
Make	TOYOTA
Model	5F10-30
OEM	68821-24920-71



Hose Guide Pulley

KOVO	
Make	TCM
Model	FD25
OEM	



Hose Guide Pulley

KOVO	
Make	TCM
Model	FD40-Z7
OEM	



Hose Guide Pulley

KOVO	
Make	
Engine	
OEM	
Side	20x112.5x25 /19



Hose Guide Pulley

KOVO	
Make	
Engine	
OEM	
Side	20x112.5x25 /20



Brake Pedal Pad

KOVO	
Make	TOYOTA
Model	5-8FD30
OEM	31319-20540-71



Brake Pedal Pad

KOVO	
Make	TOYOTA
Engine	
OEM	47118-10920-71



Brake Pedal Pad

KOVO	
Make	TOYOTA
Engine	
OEM	47118-U2100-71



Brake Pedal Pad

KOVO	
Make	MITSUBISHI
Engine	S4S
OEM	91A51-00600



Brake Pedal Pad

KOVO	
Make	KOAMTSU
Model	C16
OEM	3EB-36-31130



Brake Pedal Pad

KOVO	
Make	KOAMTSU
Engine	4D95
OEM	3EB-36-12130



Brake Pedal Pad

KOVO	
Make	NISSAN
Engine	H20-II/ H25 / TD27
OEM	46531-40K00



Brake Pedal Pad

KOVO	
Make	NISSAN
OEM	46531-6G200



Brake Pedal Pad

KOVO	
Make	NISSAN
Engine	K21/K25
OEM	46531-FK100



Brake Pedal Pad

KOVO	
Make	TCM
OEM	239A5-42301



Accelerator Pedal Pad

KOVO	
Make	TOYOTA
OEM	26611-U2100-71



Accelerator Pedal Pad

KOVO	
Make	TOYOTA
OEM	26611-U2230-71



Accelerator Pedal Pad

KOVO	
Make	TOYOTA
Engine	26618-22000-71
OEM	2J



Accelerator Pedal Pad

KOVO	
Make	TOYOTA
OEM	26619-13200-71



Accelerator Pedal Pad

KOVO	
Make	TOYOTA
OEM	31318-22000-71



Accelerator Pedal Pad

KOVO	
Make	MITSUBISHI
OEM	91A51-28500



Accelerator Pedal Pad

KOVO	
Make	KOMATSU
OEM	34A-36-11150



Accelerator Pedal Pad

KOVO	
Make	KOMATSU
Engine	4D94E
OEM	3BA-50-51541



Accelerator Pedal Pad

KOVO	
Make	KOMATSU
Engine	4D95
OEM	3EB-37-11120



Accelerator Pedal Pad

KOVO	
Make	NISSAN
Engine	K21/K25
OEM	18012-FK10A



Accelerator Pedal Pad

KOVO	
Make	NISSAN
OEM	18016-6G200-F1



Accelerator Pedal Pad

KOVO	
Make	TCM
Engine	6BG1
OEM	22N55-20211



Accelerator Pedal Pad

KOVO	
Make	TCM
OEM	214A5-22051

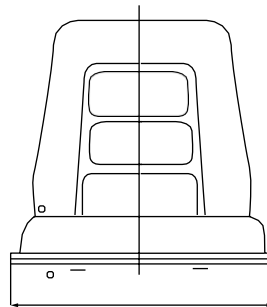


Clutch Pedal Pad

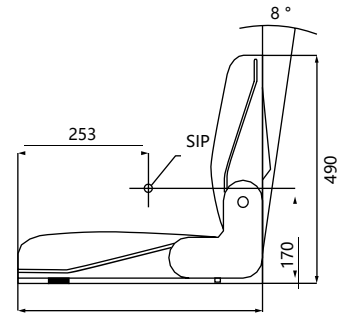
KOVO	
Make	TCM
Model	Z7
OEM	25595-42071

MAST & CAB SYSTEM

08



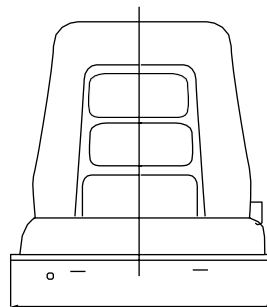
480



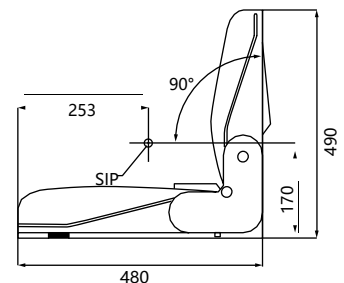
480

Forklift Seat

KOVO	YS1-1
Features	Adjustable backrest 8 degrees
	Fore and aft slider all with adjustment of 150mm
	Easily replaceable cushion
	Popular mounting size:
	Side to side x front to back
	228-230mm x 280-290mm
	328-330mm x 280-290mm



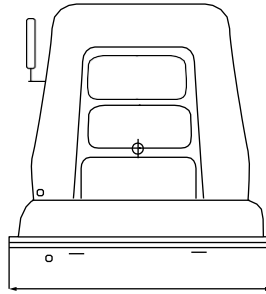
480



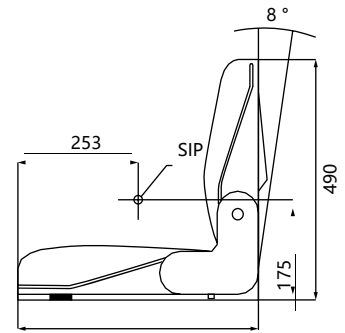
480

Forklift Seat

KOVO	YS1-2
Features	Foldaway backrest
	Adjustable backrest 8 degrees
	Fore and aft slider all with adjustment of 150mm
	Easily replaceable cushion
	Popular mounting size:
	Side to side x front to back
	228-230mm x 280-290mm
	328-330mm x 280-290mm



480

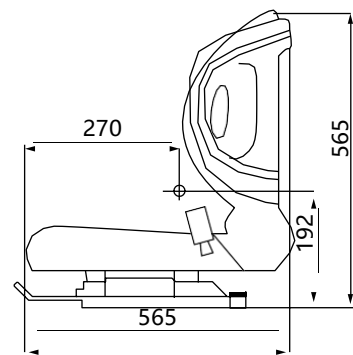
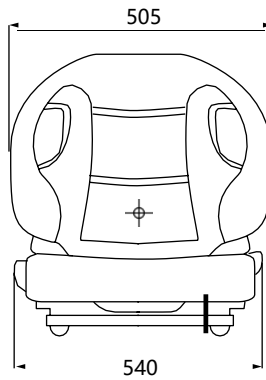


460

Forklift Seat

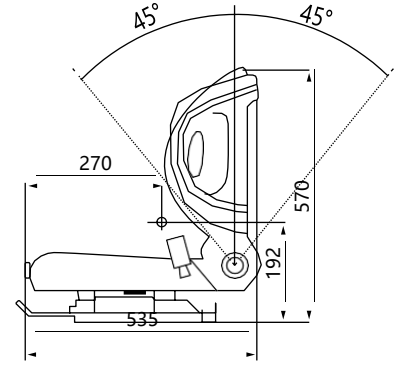
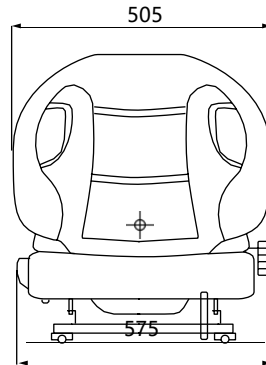
KOVO	YS1-3
Features	Adjustable backrest 8 degrees
	Fore and aft slider all with adjustment of 150mm
	Easily replaceable cushion
	Document bag
	Mechanical suspension integrated in backrest
	Popular mounting size:
	Side to side x front to back

228-230mm x 280-290mm or 328-330mm x 280-290mm



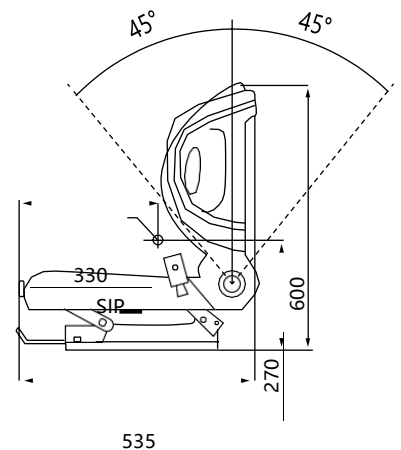
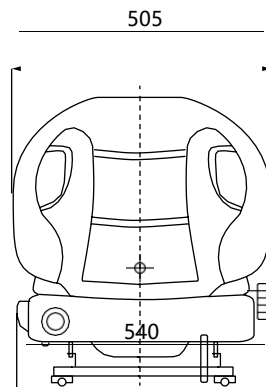
Forklift Seat

KOVO	YS2-1
Features	Fore and aft slider all with adjustment of 150mm
	Retractable safety bell
	Document bag
	Mechanical suspension integrated in backrest
	Popular mounting size:
	Side to side x front to back
	228-230mm x 280-290mm
	328-330mm x 280-290mm



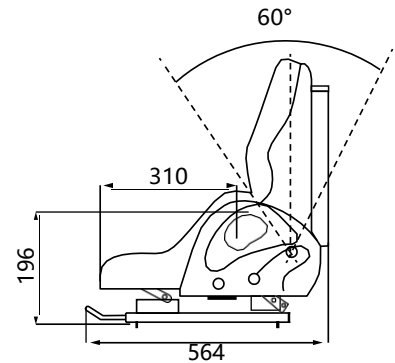
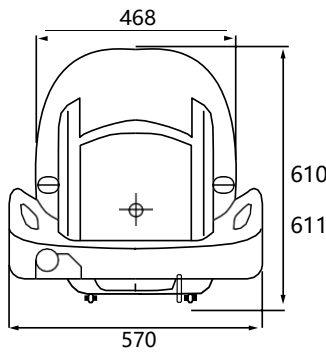
Forklift Seat

KOVO	YS2-2
Features	Adjustable backrest ± 45 degrees
	Fore and aft slider all with adjustment of 150mm
	Retractable safety belt
	Document bag
	Popular mounting design
	Side to side x front to back:
	228-230mm x 280-290mm
	328-330mm x 280-290mm

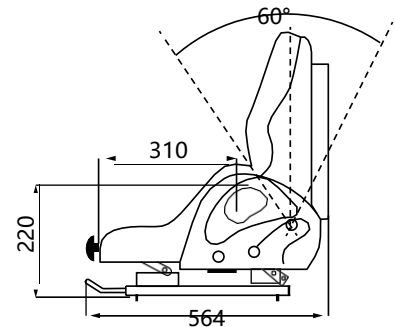
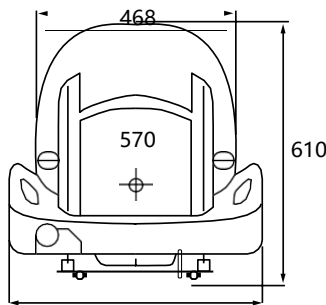


Forklift Seat

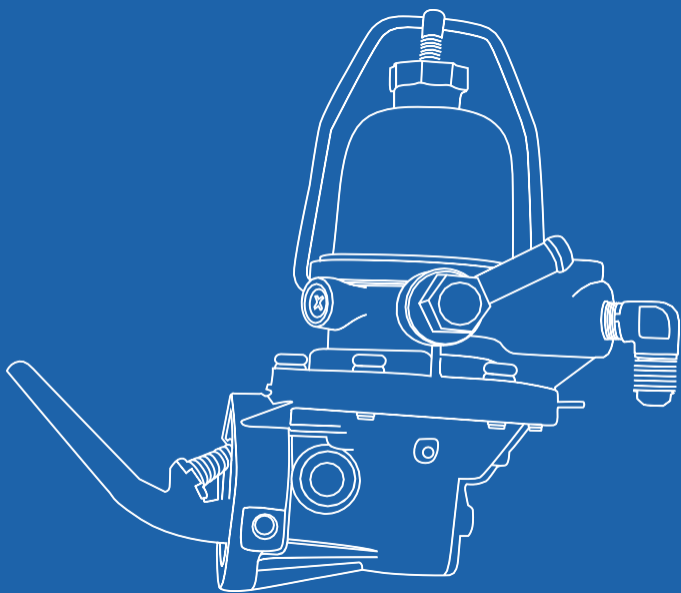
KOVO	YS2-3
Features	Adjustable backrest ± 45 degrees
	Fore and aft slider all with adjustment of 150mm
	Retractable safety belt
	Document bag
	Mechanical suspension integrated in cushion
	Damper
	Popular mounting design
	Side to side x front to back:
	228-230mm x 280-290mm or 328-330mm x 280-290mm



KOVO	YS5-2
Features	Adjustable back rest 60 degrees
	Retractable safety belt
	Fore and after slider all with adjustment of 150mm
	Document bag
	Universal mounting design



KOVO	YS5-3
Features	Adjustable backrest 60 degrees
	Fore and slider all with adjustment of 150mm
	Retractable safety belt
	Document bag
	Mechanical suspension integrated in cushion
	Damper
	Universal mounting design



09

FULE

SERIES



Carburetor

KOVO	
Make	TOYOTA
Engine	3P
OEM	21100-40152-71



Carburetor

KOVO	
Make	TOYOTA
Engine	4P
OEM	21100-78004-71



Carburetor

KOVO	
Make	TOYOTA
Engine	4Y/5K
OEM	21100-78136-71



Carburetor

KOVO	
Make	NISSAN
Engine	H20
OEM	16010-L1100



Carburetor

KOVO	
Make	NISSAN
Engine	H20-II
OEM	16010-50K00



Carburetor

KOVO	
Make	NISSAN
Engine	K21/K15
OEM	16010-FU400



Carburetor

KOVO	
Make	YALE
Engine	FE/F2
OEM	1100-52H42



Governor

KOVO	
Make	TOYOTA
Engine	7F4Y
OEM	26300-78159-71



Governor

KOVO	
Make	NISSAN
Engine	H20-2
OEM	19100-50K00



Carburetor Oil Pipe

KOVO	
Make	TOYOTA
Engine	4Y
OEM	



Carburetor Cover

KOVO	
Make	NISSAN
Engine	K21
OEM	16329-GW47B



Carburetor one-way valve

KOVO	
Make	NISSAN
Engine	H20-2
OEM	14958-H9810



Distributive Pump Head

KOVO	
Make	TOYOTA
Engine	7F1DZ
OEM	22140-76001-71



Distributive Pump Head

KOVO	
Make	TOYOTA
Engine	1DZ
OEM	22140-78200-71



Distributive Pump Head

KOVO	
Make	TOYOTA
Engine	5F1Z
OEM	22140-78300-71



Distributive Pump Head

KOVO	
Make	TOYOTA
Engine	7F2Z
OEM	22140-67080-71



Distributive Pump Head

KOVO	
Make	TOYOTA
Engine	2Z
OEM	22140-78301-71



Distributive Pump Head

KOVO	
Make	TOYOTA
Engine	11Z
OEM	22140-78330-71



Distributive Pump Head

KOVO	
Make	MITSUBISHI
Engine	S4S(NEW)
OEM	104741-3520



Distributive Pump Head

KOVO	
Make	KOMATSU
Engine	4D94E
OEM	DK146401-3020



Distributive Pump Head

KOVO	
Make	KOMATSU
Engine	6D95L
OEM	DK146406-0620



Distributive Pump Head

KOVO	
Make	NISSAN
Engine	TD27
OEM	16760-43G00



Distributive Pump Head

KOVO	
Make	NISSAN
Engine	QD32
OEM	



Distributive Pump Head

KOVO	
Make	TCM
Engine	C240
OEM	8-94328-604-0



Distributive Pump Head

KOVO	
Make	TCM
Engine	4JG2
OEM	8-97102-536-0



Distributive Pump Head

KOVO	
Make	TCM
Engine	4FE1
OEM	8-94311-675-0



Distributive Pump Head

KOVO	
Make	HYUNDAI
Engine	
OEM	



Distributive Pump Head

KOVO	
Make	DEAWOO
Engine	D427
OEM	



Distributive Pump Head

KOVO	
Make	DEAWOO
Engine	DA33A
OEM	

FUEL SERIES

09



Fuel Pump

KOVO	
Make	TOYOTA
Engine	4P
OEM	23100-78002-71



Fuel Pump

KOVO	
Make	TOYOTA
Engine	4Y
OEM	23100-78154-71



Fuel Pump

KOVO	
Make	TOYOTA
Engine	5K
OEM	23100-78120-71



Fuel Pump

KOVO	
Make	MITSUBISHI
Engine	4G64
OEM	MD175198



Fuel Pump

KOVO	
Make	NISSAN
Engine	H20/H20-II
OEM	17010-50K00



Fuel Pump

KOVO	
Make	NISSAN
Engine	K15/K21/K25
OEM	17010-50K60



Accelerator Wire

KOVO	
Make	TOYOTA
Engine	8F1DZ
OEM	26620-26621-71



Accelerator Wire

KOVO	
Make	TOYOTA
Engine	5F1DZ
OEM	26620-23840-71



Accelerator Wire

KOVO	
Make	TOYOTA
Engine	8FD2Z
OEM	26620-26671-71



Accelerator Wire

KOVO	
Make	TOYOTA
Engine	8FG4Y
OEM	26620-26641-71



Accelerator Wire

KOVO	
Make	TOYOTA
Engine	5F4Y
OEM	26620-23000-71



Accelerator Wire

KOVO	
Make	TOYOTA
Model	6FD15
OEM	26620-23640-71



Accelerator Wire

KOVO	
Make	TOYOTA
Model	6FD50
OEM	26620-32160-71



Accelerator Wire

KOVO	
Make	TOYOTA
Model	7FD35-50
OEM	26620-30511-71



Accelerator Wire

KOVO	
Make	TOYOTA
Model	7F
OEM	26620-23440-71



Accelerator Wire

KOVO	
Make	MITSUBISHI
Engine	S4S-1
OEM	91551-20100



Accelerator Wire

KOVO	
Make	MITSUBISHI
Engine	S4S-2
OEM	91E51-01200



Accelerator Wire

KOVO	
Make	MITSUBISHI
Engine	K25
OEM	91A51-35400



Accelerator Wire

KOVO	
Make	MITSUBISHI
Engine	4G63
OEM	91351-41300



Accelerator Wire

KOVO	
Make	KOMATSU
Model	C14
OEM	3EB-37-31460



Accelerator Wire

KOVO	
Make	KOMATSU
Engine	H25-C14
OEM	3EB-37-31180



Accelerator Wire

KOVO	
Make	KOMATSU
Model	FD30-C16
OEM	3EB-37-41141



Accelerator Wire

KOVO	
Make	KOMATSU
Model	C16
OEM	3EB-37-41341



Accelerator Wire

KOVO	
Make	NISSAN
Engine	QD32
OEM	18201-GG11AB



Accelerator Wire

KOVO	
Make	NISSAN
Engine	TD27
OEM	18201-51K00



Accelerator Wire

KOVO	
Make	NISSAN
Engine	K21
OEM	18201-FK10A



Accelerator Wire

KOVO	
Make	NISSAN
Engine	H20
OEM	18201-51K00



Accelerator Wire

KOVO	
Make	NISSAN
Engine	H20-II
OEM	18201-50K01



Accelerator Wire

KOVO	
Make	NISSAN
Engine	33L4C
OEM	18201-FK200



Accelerator Wire

KOVO	
Make	TCM
Engine	C240
OEM	22U55-22102



Accelerator Wire



Accelerator Wire



Accelerator Wire

KOVO	
Make	TCM
Engine	6BG1
OEM	230C5-20201

KOVO	
Make	HYUNDAI
Engine	
OEM	

KOVO	
Make	TAILIFT
Model	FD30
OEM	



Regulator Assy,Lpg

KOVO	
Make	TOYOTA
Engine	4Y
OEM	23510-13601-71



Regulator Assy,Lpg

KOVO	
Make	TOYOTA
Model	8FG30
OEM	



Regulator Assy,Lpg

KOVO	
Make	TOYOTA
OEM	23510-U2230-71



Regulator Assy,Lpg

KOVO	
Make	TOYOTA
OEM	23570-23321-71



Regulator Assy,Lpg

KOVO	
Make	MITSUBISHI
OEM	91A65-00600



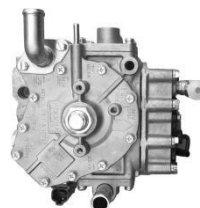
Regulator Assy,Lpg

KOVO	
Make	NISSAN
Engine	K21/K25
OEM	16310-FU400



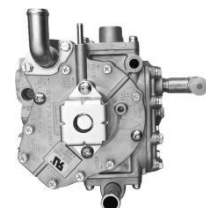
Regulator Assy,Lpg

KOVO	
Make	NISSAN
OEM	16310-GY36B



Regulator Assy,Lpg

KOVO	
Make	NISSAN
OEM	16310-GJ00C



Regulator Assy,Lpg

KOVO	
Make	NISSAN
OEM	16310-GS00D



Regulator Assy,Lpg

KOVO	
Make	NISSAN
OEM	16310-GY96C



Regulator Assy,Lpg

KOVO	
Make	NISSAN
OEM	16310-00H10



Regulator Assy,Lpg

KOVO	
Make	NISSAN
OEM	16310-GW300



Regulator Assy,Lpg

KOVO	
Make	NISSAN
OEM	16310-GY361



Regulator Assy,Lpg

KOVO	
Make	NISSAN
OEM	16310-FU460



Regulator Assy,Lpg

KOVO	
Make	NISSAN
OEM	16310-50K00



Regulator Assy,Lpg

KOVO	
OEM	199434R0361-1512

FUEL SERIES

09



Gas Pump Kit

KOVO	
Make	TOYOTA
Model	3-5FG10-40
OEM	04221-20351



Gas Pump Kit

KOVO	
Make	TOYOTA
Model	7FG10-40
OEM	04221-20401



Gas Pump Kit

KOVO	
Make	TOYOTA
Model	8FG10-30
OEM	04221-20450



Gas Pump Kit

KOVO	
Make	TOYOTA
Model	3-6FG15-30
OEM	04221-20370



Gas Pump Kit

KOVO	
Make	TOYOTA
Model	8FG10-30
OEM	04221-20490



Gas Pump Kit

KOVO	
Make	TOYOTA
Model	7FG10-40
OEM	04237-20030



Gas Pump Kit

KOVO	
Make	MITSUBISHI
OEM	93165-13110



Gas Pump Kit

KOVO	
Make	NISSAN
Engine	H20-2
OEM	17962-00H05



Nozzle Holder Assy

KOVO	
Make	TOYOTA
Engine	1DZ
OEM	23600-78200-71



Nozzle Holder Assy

KOVO	
Make	TOYOTA
Engine	1Z/2Z/13Z
OEM	23600-78701-71



Nozzle Holder Assy

KOVO	
Make	TOYOTA
Engine	2J
OEM	23600-48011-71



Nozzle Holder Assy

KOVO	
Make	MITSUBISHI
Engine	S4S
OEM	MM435-94101



Nozzle Holder Assy

KOVO	
Make	MITSUBISHI
Engine	S4E
OEM	30661-53020



Nozzle Holder Assy

KOVO	
Make	KOMATSU
Engine	4D94E
OEM	YM129901-53001



Nozzle Holder Assy

KOVO	
Make	KOMATSU
Engine	4D95
OEM	



Nozzle Holder Assy

KOVO	
Make	YANMAR
Engine	4TNV94
OEM	YM729906-53100



Nozzle Holder Assy

KOVO	
Make	TCM
Engine	C240
OEM	5-15300-039-1



Nozzle Holder

KOVO	
Make	KOMATSU
Engine	4D95
OEM	6202-12-3210



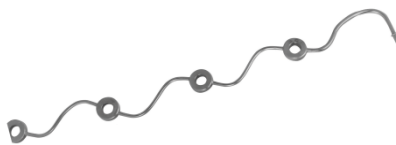
Nozzle

MAKE	ENGINE	KOVO	OEM
TOYOTA	2J		23620-54010
	1DZ		23620-69015
	1DZ/15Z		23620-76001-71
	2J/2H/2D		23620-76002-71
	1Z/11Z/12Z		23620-78300-71
	1Z/2Z/11Z/12Z		23620-78301-71
	2Z		23620-78700-71
	2Z/13Z		23620-78701-71
	13Z/14Z		23620-78760-71
	13Z/14Z		23620-78761-71
11Z/14Z		23620-78780-71	
MITSUBISHI	S4Q2/S6S		09340-05060
	S4E/S4E2/S6E		34661-02000
	S4S		MD603660
KOMATSU	4D105-3		6134-12-3120
	6D105		6136-11-3120
	4D95		6202-12-3330
	C12-4JG2		8-97107-444-0
	4D92E/4D94LE/4D98E		YM119717-53010
	4D94E		YM129901-53010
6D95L		6206-11-3130	
NISSAN	TD27-II		A-16620-43G02
TCM	E120		Z-1-15311-073-0
	E120		Z-9-15311-574-0
	C240		5-15311-006-0
	4FE1		8-94219-893-1
YALE	XA		9013188-02
	HA		1369870
	HA		2028649
HYUNDAI	D4BB		33815-42010
DAEWOO	D20S-3/D25S-3/ D30S-3		65.10102-6041



Nozzle Leakage Pipe Assy

KOVO	
Make	mitsubishi
Engine	S6S
OEM	32B61-04100



Nozzle Leakage Pipe Assy

KOVO	
Make	KOMATSU
Engine	4D94E
OEM	YM129901-59510



Nozzle Leakage Pipe Assy

KOVO	
Make	NISSAN
Engine	TD27
OEM	16670-43G00



Nozzle Leakage Pipe Assy

KOVO	
Make	TCM
Engine	C240PKG
OEM	5-15411-774-0



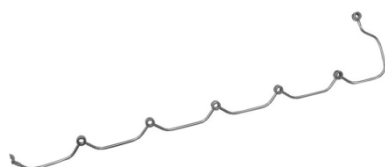
Nozzle Leakage Pipe Assy

KOVO	
Make	TCM
Engine	C240
OEM	8-94250-310-0



Nozzle Leakage Pipe Assy

KOVO	
Make	TCM
Engine	4JG2
OEM	8-94368-249-1



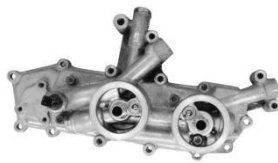
Nozzle Leakage Pipe Assy

KOVO	
Make	TCM
Engine	6BG1
OEM	1-15412-471-1



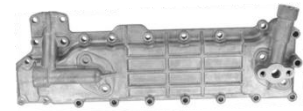
Oil Cooler

KOVO	
Make	NISSAN
Engine	TD27
OEM	21305-54T00



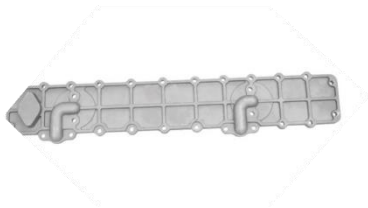
Oil Cooler

KOVO	
Make	NISSAN
Engine	TD42
OEM	



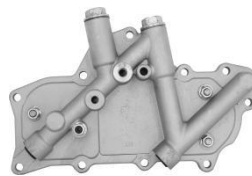
Oil Cooler

KOVO	
Make	TCM
Engine	6BG1
OEM	1-21700-249-2



Case Oil Body

KOVO	
Make	MITSUBISHI
Engine	S6K
OEM	34339-10504



Case Oil Body

KOVO	
Make	NISSAN
Engine	TD27
OEM	21320-31N00



Case Oil Body

KOVO	
Make	TCM
Engine	6BB1
OEM	1-11281-028-1



Oil Cooler Element

KOVO	
Make	TCM
Engine	6BG1
OEM	1-11282-018-0



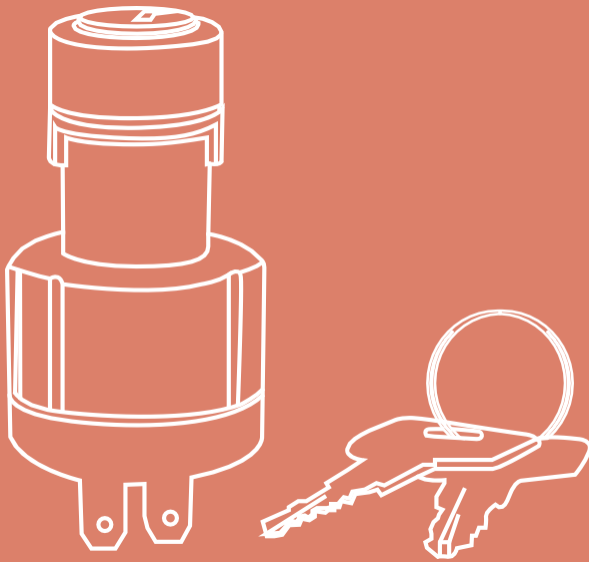
Oil Cooler Element

KOVO	
Make	TCM
Engine	6BB1
OEM	



Oil Cooler Element

KOVO	
Make	TCM
Engine	D4BB
OEM	



10

ELECTRICAL

SERIES



Alternator

KOVO	
Make	TOYOTA
Engine	5F1Z
OEM	27060-78300-71



Alternator

KOVO	
Make	TOYOTA
Engine	7F2Z
OEM	27060-78201-71



Alternator

KOVO	
Make	TOYOTA
Engine	2Z /1DZ
OEM	27060-78202-71



Alternator

KOVO	
Make	TOYOTA
Engine	7F4Y
OEM	27060-78158-71



Alternator

KOVO	
Make	TOYOTA
Engine	6F4Y
OEM	27060-78003-71



Alternator

KOVO	
Make	TOYOTA
Model	7FD25



Alternator

KOVO	
Make	TOYOTA
Engine	7F13Z
OEM	27060-78202-71



Alternator

KOVO	
Make	MITSUBISHI
Engine	S4S
OEM	34468-28200



Alternator

KOVO	
Make	MITSUBISHI
Engine	S4S
OEM	32A68-00302



Alternator

KOVO	
Make	MITSUBISHI
Engine	S4S-2
OEM	23100-FM000



Alternator

KOVO	
Make	MITSUBISHI
Engine	S6S
OEM	32A68-06800



Alternator

KOVO	
Make	MITSUBISHI
Engine	S6S
OEM	32B68-00200

10 ELECTRICAL SERIES



Alternator

KOVO	
Make	MITSUBISHI
Engine	S6E/S6E2
OEM	34468-25100



Alternator

KOVO	
Make	MITSUBISHI
Engine	4G33
OEM	MD034130



Alternator

KOVO	
Make	KOMATSU
Engine	4D94E
OEM	YM129930-77211



Alternator

KOVO	
Make	KOMATSU
Engine	4D95S
OEM	600-821-2350



Alternator

KOVO	
Make	KOMATSU
Engine	6D95L
OEM	600-821-3850



Alternator

KOVO	
Make	KOMATSU
OEM	YM129961-77200



Alternator

KOVO	
Make	KOMATSU
Engine	6D102E
OEM	600-861-3411



Alternator

KOVO	
Make	NISSAN
Engine	H20-2
OEM	23100-50K10



Alternator

KOVO	
Make	NISSAN
Engine	H20
OEM	23100-M0413



Alternator

KOVO	
Make	NISSAN
Engine	H20
OEM	23100-FF110



Alternator

KOVO	
Make	NISSAN
Engine	TD27
OEM	23100-42K00



Alternator

KOVO	
Make	NISSAN
Engine	TD27
OEM	23100-NA000



Alternator

For Picture Details
Please Email Us
Forklift@Forklift-China.cc

Alternator



Alternator

KOVO	
Make	NISSAN
Engine	TD27
OEM	23100-02N20

KOVO	
Make	NISSAN
Engine	TD27
OEM	23100-7T403

KOVO	
Make	NISSAN
Engine	K21
OEM	23100-FU410



Alternator



Alternator



Alternator

KOVO	
Make	NISSAN
Engine	QD32
OEM	23100-NA00B

KOVO	
Make	TCM
Engine	C240
OEM	5-81200-328-1

KOVO	
Make	TCM
Engine	4JG2
OEM	8-94338-096-0



Alternator



Alternator



Alternator

KOVO	
Make	TCM
Engine	4JG2
OEM	8-94423-756-0

KOVO	
Make	TCM
Engine	4BC2
OEM	8-94404-791-0

KOVO	
Make	TCM
Engine	4LB1
OEM	8-97225-117-0



Alternator



Alternator



Alternator

KOVO	
Make	TCM
Engine	6BG1
OEM	1-81200-365-0

KOVO	
Make	KUBOTA
Engine	V2403
OEM	16404-64012

KOVO	
Make	HYUNDAI
Engine	D4BB
OEM	37300-42C13

10 ELECTRICAL SERIES



Distributor

KOVO	
Make	TOYOTA
Engine	4Y
OEM	19030-78151-71



Distributor

KOVO	
Make	TOYOTA
Engine	5K
OEM	19030-78120-71



Distributor

KOVO	
Make	TOYOTA
Engine	4P
OEM	19100-78000-71



Distributor

KOVO	
Make	TOYOTA
Engine	1FZ
OEM	19100-76027-71



Distributor

KOVO	
Make	TOYOTA
OEM	19030-78154-71



Distributor

KOVO	
Make	TOYOTA
OEM	19030-U2120-71



Distributor

KOVO	
Make	TOYOTA
OEM	19030-U3160-71



Distributor

KOVO	
Make	TOYOTA
OEM	19040-78150-71



Distributor

KOVO	
Make	TOYOTA
OEM	19100-76004-71



Distributor

KOVO	
Make	TOYOTA
Engine	5R
OEM	19100-78051-71



Distributor

KOVO	
Make	MITSUBISHI
OEM	MD021841



Distributor

KOVO	
Make	MITSUBISHI
Engine	4G52/4G54
OEM	MM115552



Distributor

KOVO	
Make	MITSUBISHI
Engine	4G63/4G64
OEM	MD169418



Distributor

KOVO	
Make	MITSUBISHI
OEM	MD326637



Distributor

KOVO	
Make	NISSAN
Engine	H20-1
OEM	22100-00H11



Distributor

KOVO	
Make	NISSAN
Engine	H20-2
OEM	22100-50K10



Distributor

KOVO	
Make	NISSAN
Engine	H25
OEM	22100-60K15



Distributor

KOVO	
Make	NISSAN
Engine	K21
OEM	22100-FU410



Distributor

KOVO	
Make	NISSAN
Engine	K25
OEM	22100-FU510



Distributor

KOVO	
Make	NISSAN
Engine	TB42
OEM	22100-52H20



Distributor

KOVO	
Make	NISSAN
Engine	Z24
OEM	22100-87K15



Distributor

KOVO	
Make	NISSAN
OEM	22100-52H70



Distributor

KOVO	
Make	NISSAN
Engine	P40
OEM	22100-C7000



Distributor

KOVO	
Make	NISSAN
Engine	H20MGR4
OEM	22100-K7201

10 ELECTRICAL SERIES



Ignition Lead Set

KOVO	
Make	TOYOTA
OEM	90919-22357



Ignition Lead Set

KOVO	
Make	TOYOTA
Engine	4Y
OEM	90919-22141



Ignition Lead Set

KOVO	
Make	NISSAN
Engine	H20-2
OEM	22450-50K25



Ignition Lead Set

KOVO	
Make	NISSAN
Engine	TB42
OEM	22450-TB042



Distributor Cap

KOVO	
Make	TOYOTA
Engine	4Y
OEM	19101-76007-71



Distributor Cap

KOVO	
Make	TOYOTA
Engine	5K
OEM	19101-78120-71



Distributor Cap

KOVO	
Make	TOYOTA
Engine	1FZ
OEM	19101-76012-71



Distributor Cap

KOVO	
Make	TOYOTA
OEM	19101-U2120-71



Distributor Cap

KOVO	
Make	MINIBISHI
Engine	4G64
OEM	MD611686



Distributor Cap

KOVO	
Make	MINIBISHI
Engine	4G52/4G54
OEM	MD602949



Distributor Cap

KOVO	
Make	NISSAN
Engine	H20-2
OEM	22162-55K10



Distributor Cap

KOVO	
Make	NISSAN
Engine	TB42
OEM	22162-42L13



Distributor Cap

KOVO	
Make	NISSAN
OEM	22162-05M02



Distributor Cap

KOVO	
Make	NISSAN
Engine	A15
OEM	22162-25G11



Distributor Cap

KOVO	
Make	NISSAN
Engine	TB42
OEM	22162-52H20



Distributor Cap

KOVO	
Make	NISSAN
Engine	H20/A15
OEM	22162-78A10

10 ELECTRICAL SERIES



Distributor Cap

KOVO	
Make	NISSAN
OEM	22162-R9007



Distributor Cap

KOVO	
Make	NISSAN
OEM	22162-V2502



Distributor Cap

KOVO	
Make	NISSAN
OEM	22162-VB011



Rotor

KOVO	
Make	TOYOTA
Engine	1FZ(OLD)
OEM	19104-76002-71



Rotor

KOVO	
Make	TOYOTA
Engine	1FZ(NEW)
OEM	19102-76012-71



Rotor

KOVO	
Make	TOYOTA
Engine	4Y
OEM	19102-76007-71



Rotor

KOVO	
Make	TOYOTA
Engine	5K
OEM	19102-76008-71



Rotor

KOVO	
Make	mitsubishi
Engine	4G63/4G64
OEM	MD611850



Rotor

KOVO	
Make	MITSUBISHI
Engine	4G63/4G64
OEM	MD618262



Rotor

KOVO	
Make	NISSAN
Engine	H20/K21/K25
OEM	22157-55K15



Rotor

KOVO	
Make	NISSAN
Engine	TB42
OEM	22157-52H20

10 ELECTRICAL SERIES



Headlight Switch

KOVO	
Make	TOYOTA
Model	7F
OEM	57440-23320-71



Headlight Switch

KOVO	
Make	TOYOTA
Model	8FD10-30
OEM	57440-12470-71



Headlight Switch

KOVO	
Make	MITSUBISHI
Engine	S4S
OEM	91205-12900



Headlight Switch

KOVO	
Make	MITSUBISHI
Engine	S4S-2
OEM	91A05-03400



Headlight Switch

KOVO	
Make	KOMATSU
Model	C12
OEM	3EB-55-32212



Headlight Switch

KOVO	
Make	KOMATSU
Model	C14
OEM	



Headlight Switch

KOVO	
Make	KOMATSU
Model	C16
OEM	3EB-56-53231



Directional Switch

KOVO	
Make	TOYOTA
Model	7F
OEM	57460-23330-71



Directional Switch

KOVO	
Make	TOYOTA
Model	8F
OEM	57460-26630-71



Directional Switch

KOVO	
Make	TOYOTA
OEM	57410-10920-71



Directional Switch

KOVO	
Make	TOYOTA
OEM	57460-30621-71



Directional Switch

KOVO	
Make	TOYOTA
Model	8FB



Directional Switch

KOVO	
Make	MITSUBISHI
Engine	S4S-1
OEM	91406-12800



Directional Switch

KOVO	
Make	MITSUBISHI
Engine	S4S-1
OEM	91306-45200



Directional Switch

KOVO	
Make	MITSUBISHI
Engine	S4S-2
OEM	91A05-03600



Directional Switch

KOVO	
Make	KOMATSU
Model	C12
OEM	3EB-55-32222



Directional Switch

KOVO	
Make	KOMATSU
Model	C14
OEM	3EB-55-32522



Directional Switch

KOVO	
Make	KOMATSU
Model	C16
OEM	3EB-56-43220



Directional Switch

KOVO	
Make	TCM
OEM	17B37-70401

10

ELECTRICAL SERIES



Stop Lamp Switch

KOVO	
Make	TOYOTA
Model	8FD
OEM	57420-26600-71



Stop Lamp Switch

KOVO	
Make	TOYOTA
Model	7F
OEM	84340-76001-71



Stop Lamp Switch

KOVO	
Make	MITSUBISHI
Engine	S4S-2
OEM	91206-11300



Stop Lamp Switch

KOVO	
Make	KOMATSU
Model	C14-FD20-30
OEM	3SB-36-61170

